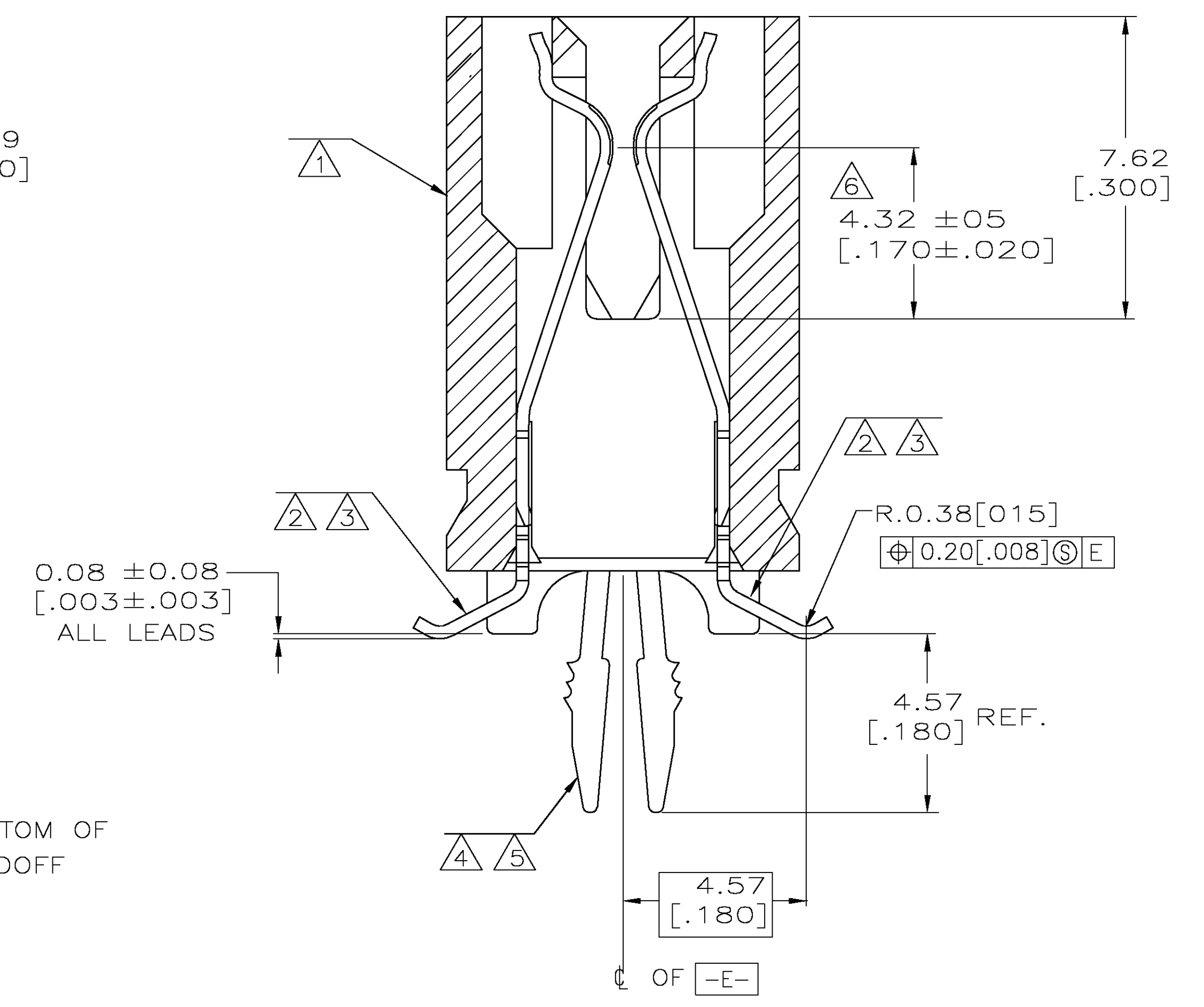
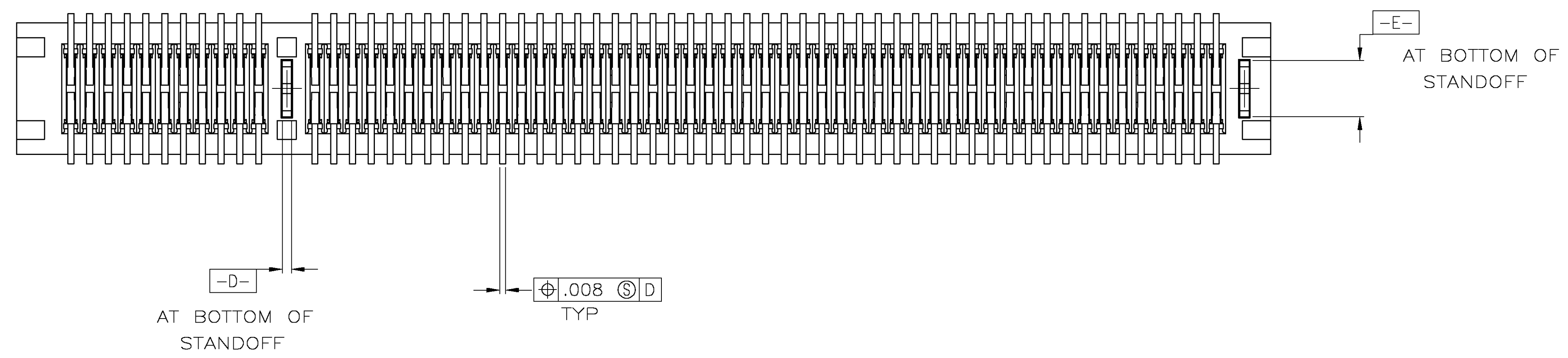
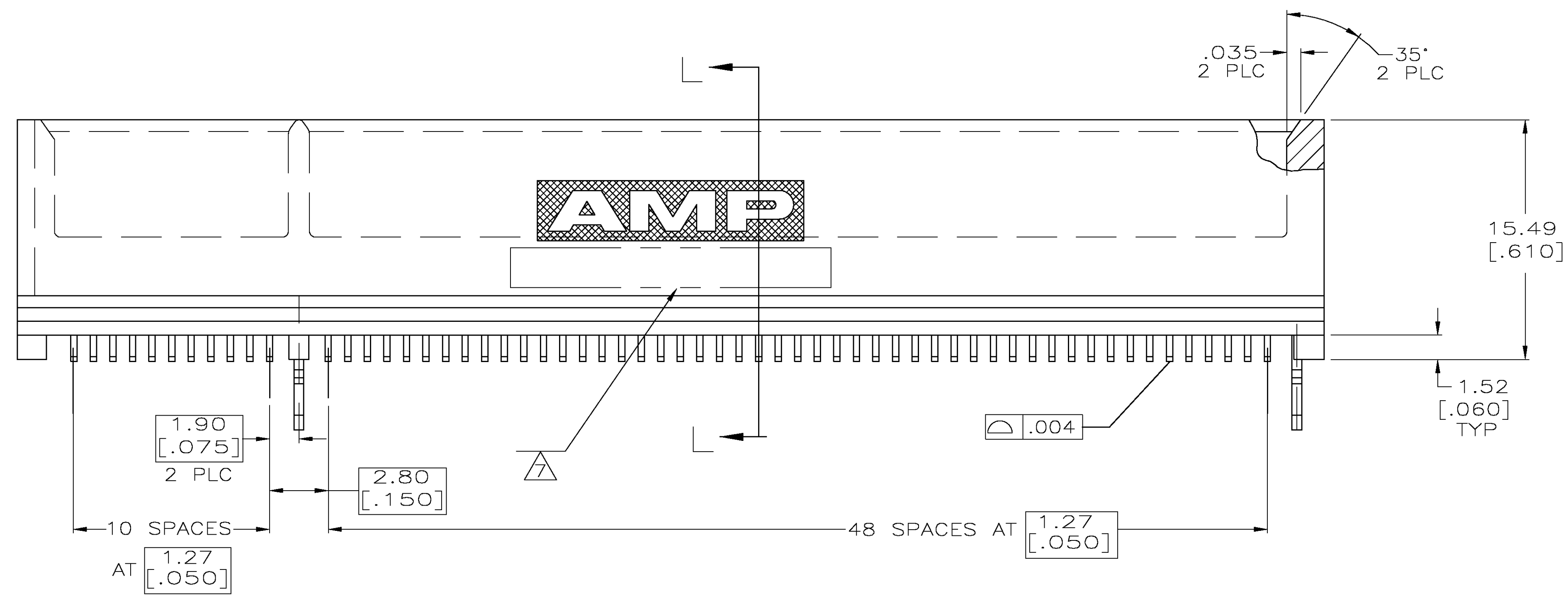
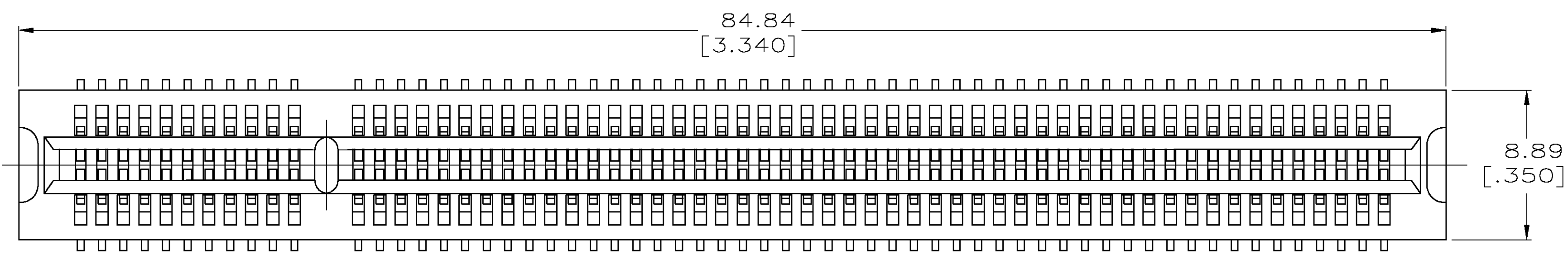


LOC		DIST		REVISIONS			
F	LTR	DESCRIPTION	DATE	DRN	APVD		
B		REVISED PER EC 0515-0122-05	06 JUN 05	AWF	AWF		

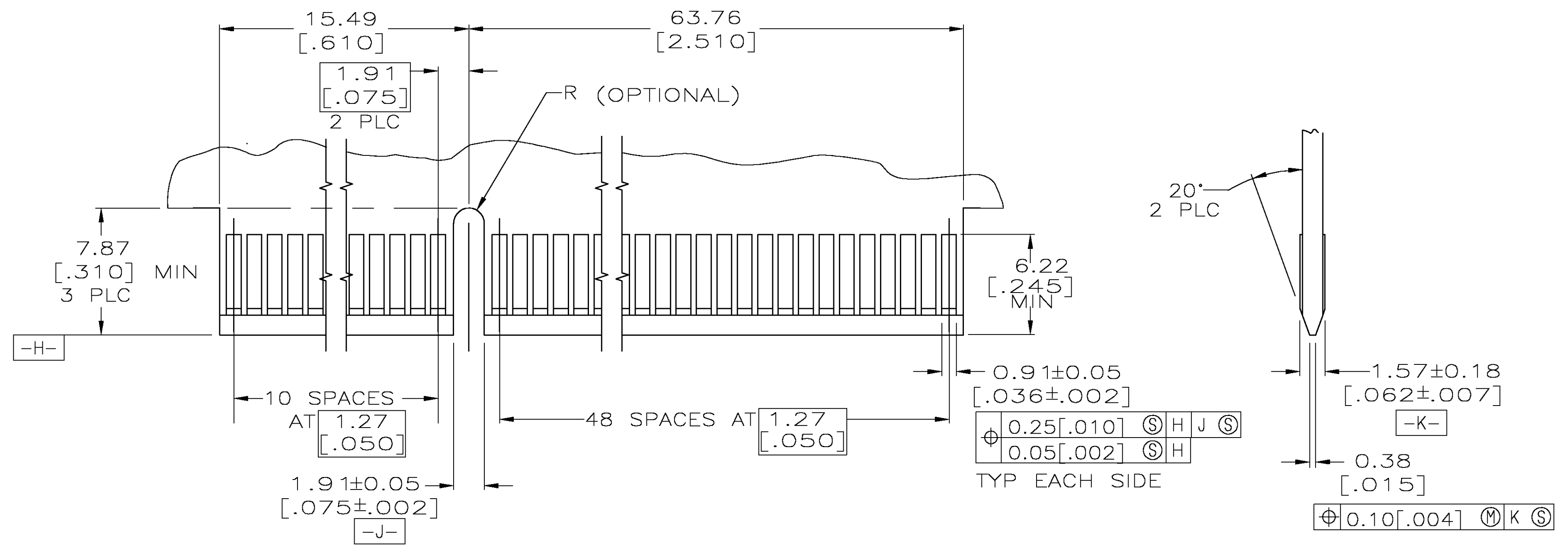
- ① HOUSING: HIGH TEMPERATURE THERMOPLASTIC.
- ② CONTACT: PHOSPHOR BRONZE.
- ③ CONTACT FINISH: .000100 MIN NICKEL ALL OVER.
.000030 MIN GOLD OVER NICKEL IN CONTACT AREA.
.000100 MIN MATTE TIN OVER NICKEL ON SOLDER TAILS.
- ④ METAL HOLD DOWN: BRASS
- ⑤ METAL HOLD DOWN FINISH: .000050 MIN NICKEL ALL OVER,
.000150 MIN MATTE TIN ALL OVER.
- ⑥ DISTANCE FROM CONTACT POINT TO BOTTOM OF CARD SLOT.
- ⑦ AMP PART NUMBER, DATE CODE AND CSA LOGO MARKED IN APPROXIMATE AREA SHOWN.



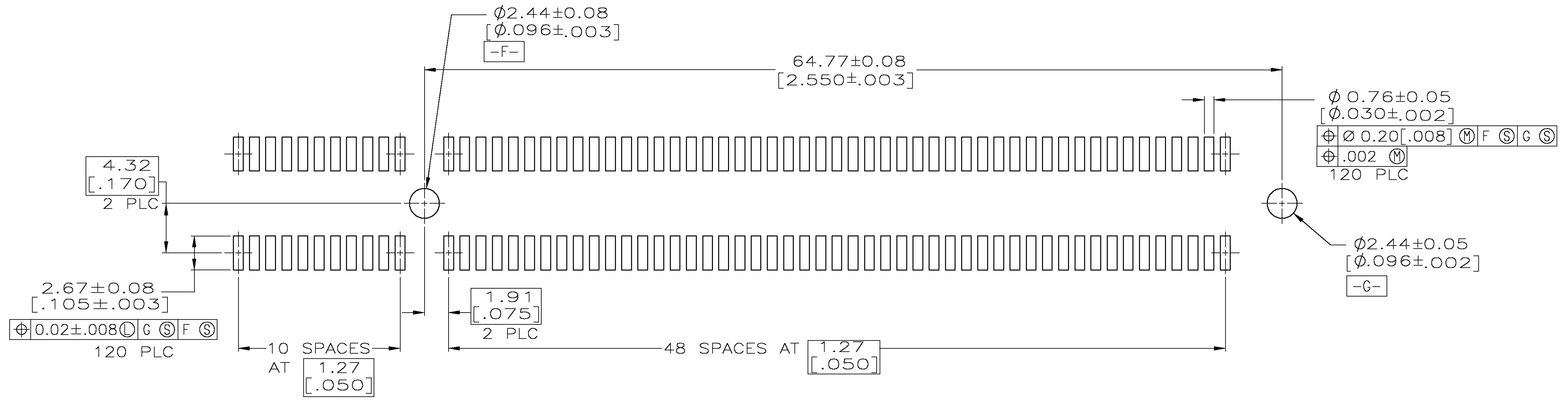
SECTION L-L
SCALE 8:1

1761842-1 AS SHOWN

THIS DRAWING IS A CONTROLLED DOCUMENT.		DRN AL FRANTUM 30 MAR 05	Tyco Electronics Corporation Harrisburg, Pa 17105-3608
DIMENSIONS: mm		APVD AL FRANTUM	
TOLERANCES UNLESS OTHERWISE SPECIFIED:		PRODUCT SPEC 108-14034	NAME CONNECTOR ASSEMBLY, 60 DUAL POSITION, .050 SERIEIS, STANDARD EDGE, SURFACE MOUNT
0 PLC ± -		APPLICATION SPEC 114-13148	
1 PLC ± -		SIZE A1	CAGE CODE DRAWING NO 00779 1761842
2 PLC ± 0.13[.005]		RESTRICTED TO -	
3 PLC ± -		CUSTOMER DRAWING	SCALE 5:1 SHEET 1 OF 2 REV B
4 PLC ± -			
ANGLES ± 2			
FINISH			



RECOMMENDED MATING BOARD EDGE CONFIGURATION



RECOMMENDED PC BOARD PATTERN
(CONNECTOR SIDE SHOWN)

THIS DRAWING IS A CONTROLLED DOCUMENT.		DIV AL FRANTUM 30 MAR 05	 Tyco Electronics Corporation Harrisburg, Pa 17105-3608
DIMENSIONS: mm		CHK AL FRANTUM 30 MAR 05	
TOLERANCES UNLESS OTHERWISE SPECIFIED: 0 PLC ± - 1 PLC ± - 2 PLC ± 0.13[.005] 3 PLC ± - 4 PLC ± - ANGLES ± - Z		APVD	NAME
		PRODUCT SPEC 108-14034	CONNECTOR ASSEMBLY, 60 DUAL POSITION, .050 SERIEIS, STANDARD EDGE, SURFACE MOUNT
MATERIAL		APPLICATION SPEC 114-13148	RESTRICTED TO
		WEIGHT	A1 00779 C=1761842
		CUSTOMER DRAWING	SCALE 5:1 SHEET 2 OF 2 REV B